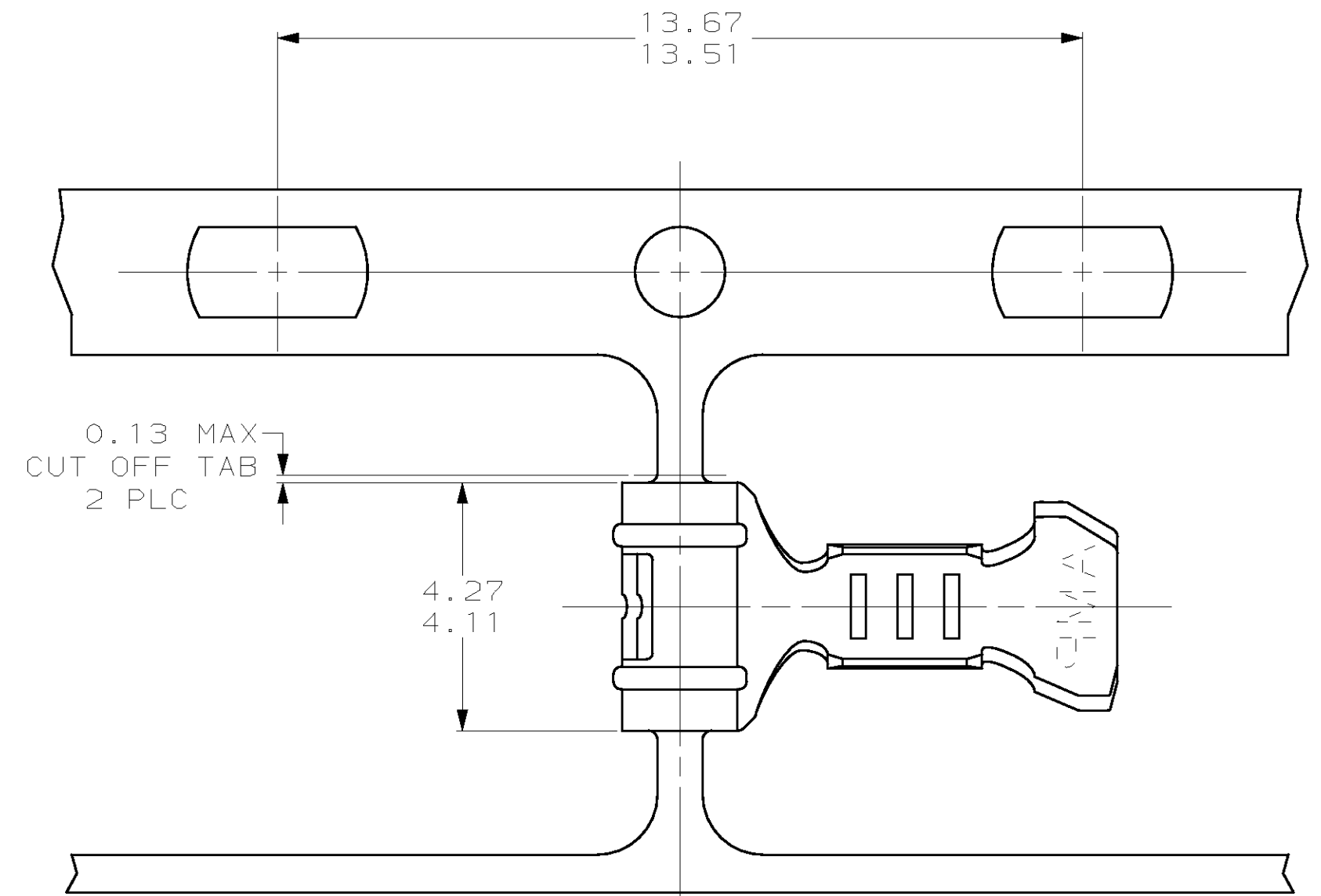
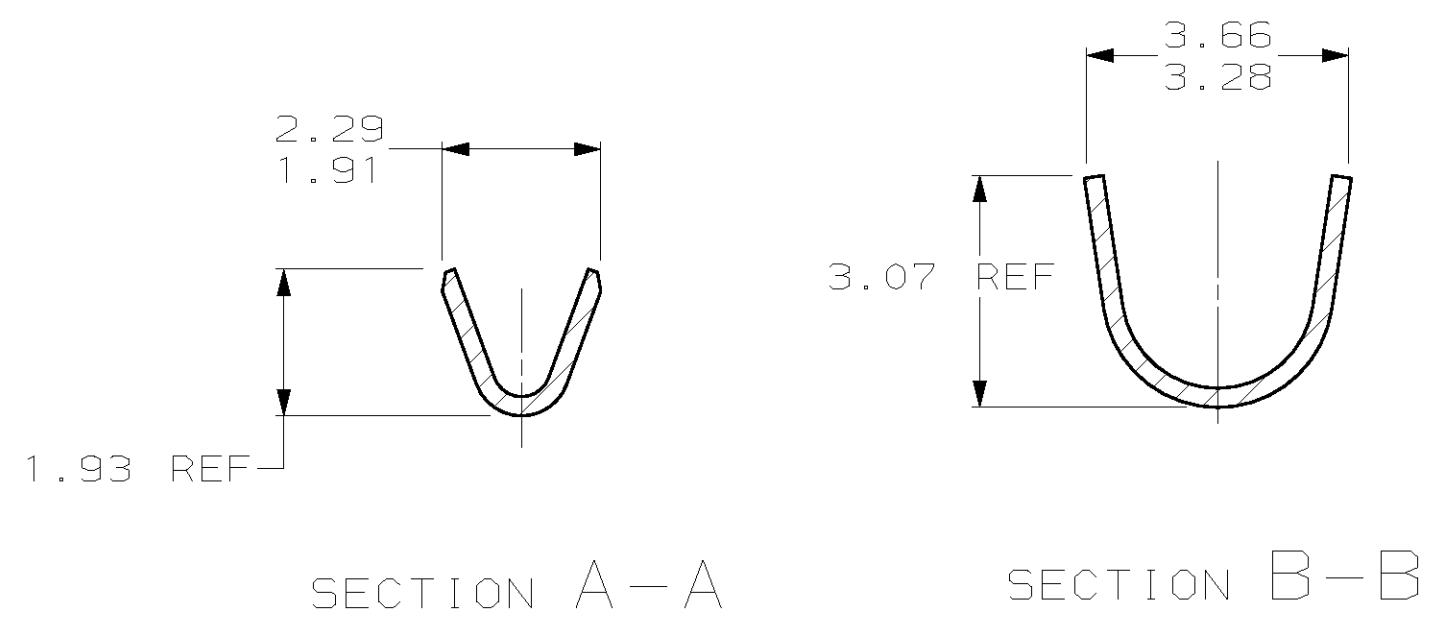
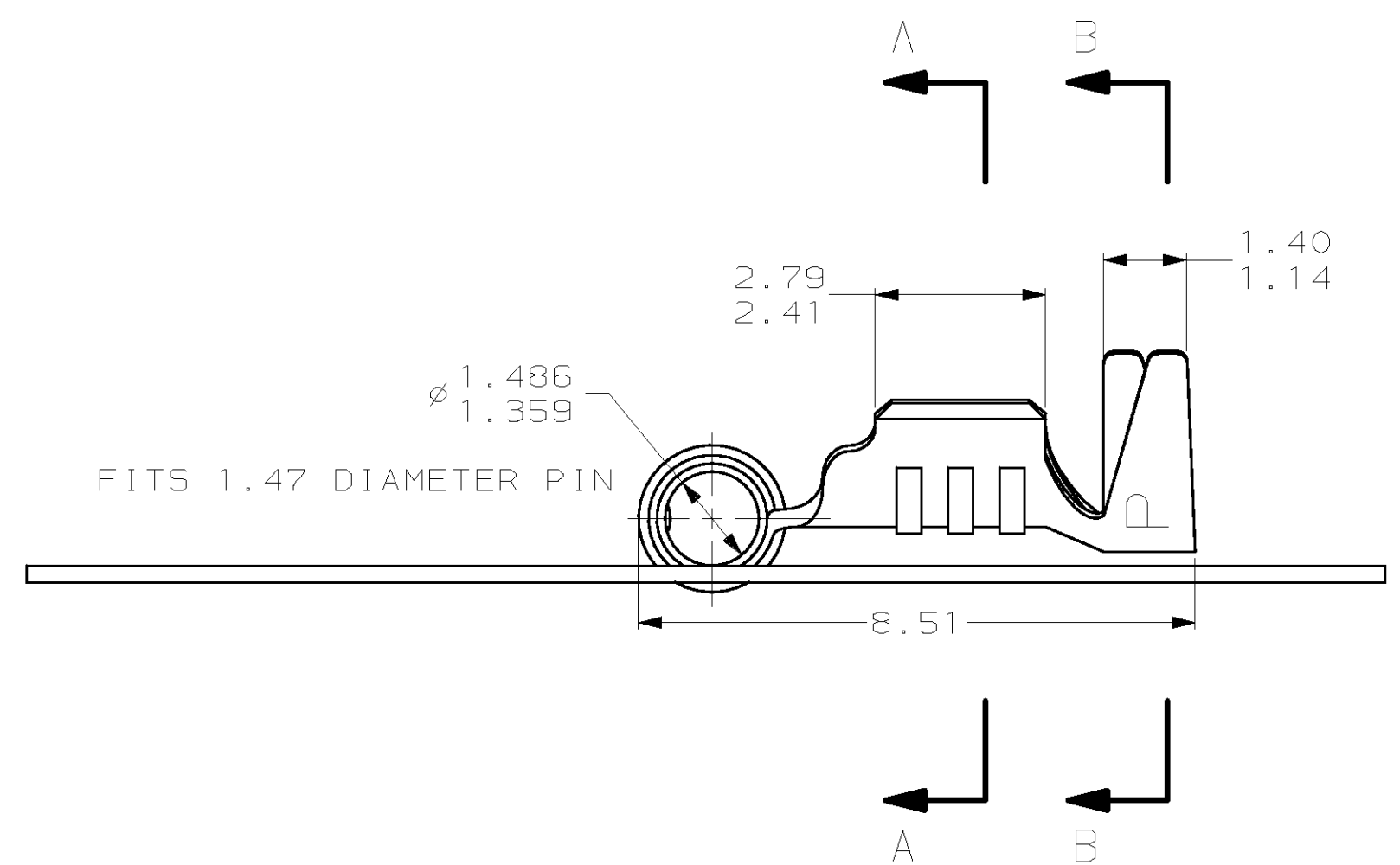


THIS DRAWING IS UNPUBLISHED. RELEASED FOR PUBLICATION
 (C) COPYRIGHT 19 BY AMP INCORPORATED. ALL RIGHTS RESERVED.

LOC	DIST	REVISIONS			
P	LTR	DESCRIPTION	DATE	DWN	APVD
CM	52	F	REV & REDWN PER EC 0L30-0125-97	6-2-97	TB RS



1. WIRE RANGE: 0.2 - 0.6 MM² (24 - 20 AWG)
2. INSULATION RANGE: 1.02 - 2.54



MATTE TIN FINISH	0.25 BE COPPER MATERIAL	61323-2 PART NUMBER
------------------	-------------------------	---------------------

1.40	.055	2.41	.095	4.11	.162	-	-
1.359	.0535	2.29	.090	3.66	.144	-	-
1.14	.045	1.93	.076	3.28	.129	13.67	.538
1.02	.040	1.91	.075	3.07	.121	13.51	.532
0.25	.010	1.486	.0585	2.79	.110	8.51	.335
0.13	.005	1.47	.058	2.54	.100	4.27	.168
MM	IN	MM	IN	MM	IN	MM	IN

CONVERSION TABLE

METRIC

THIS DRAWING IS A CONTROLLED DOCUMENT.

DIMENSIONS: mm	TOLERANCES UNLESS OTHERWISE SPECIFIED:	DWN T. BECK 5-22-97	AMP Incorporated Harrisburg, PA 17105-3608
	0 PLC ±-	CHK R. SWING 5-22-97	
	1 PLC ±-	APVD A. BEDDICK 6-17-97	
	2 PLC ±0.13	PRODUCT SPEC	
3 PLC ±-	APPLICATION SPEC	NAME RECEPTACLE, .058 DIAMETER, 24-20 AWG, .040-.100 INSULATION, RIGHT ANGLE, P.C. CONTACT	
4 PLC ±-	ANGLES ±-	SIZE A2	CAGE CODE 00779
MATERIAL SEE TABLE	FINISH SEE TABLE	WEIGHT -	DRAWING NO. 61323
CUSTOMER DRAWING			RESTRICTED TO -

SCALE 10:1 SHEET 1 OF 1 REV F

61323